



[www.evolve-fitness.eu](http://www.evolve-fitness.eu)



@EvolveFitnessEurope



@Evolve\_Fitness\_Europe



**PRIME SERIES**

EV-CT-215X Evolve Prime Series Treadmill with  
21,5' full HD Console

 **CAUTION**

Please read all precautions and instructions in this manual before using this equipment.

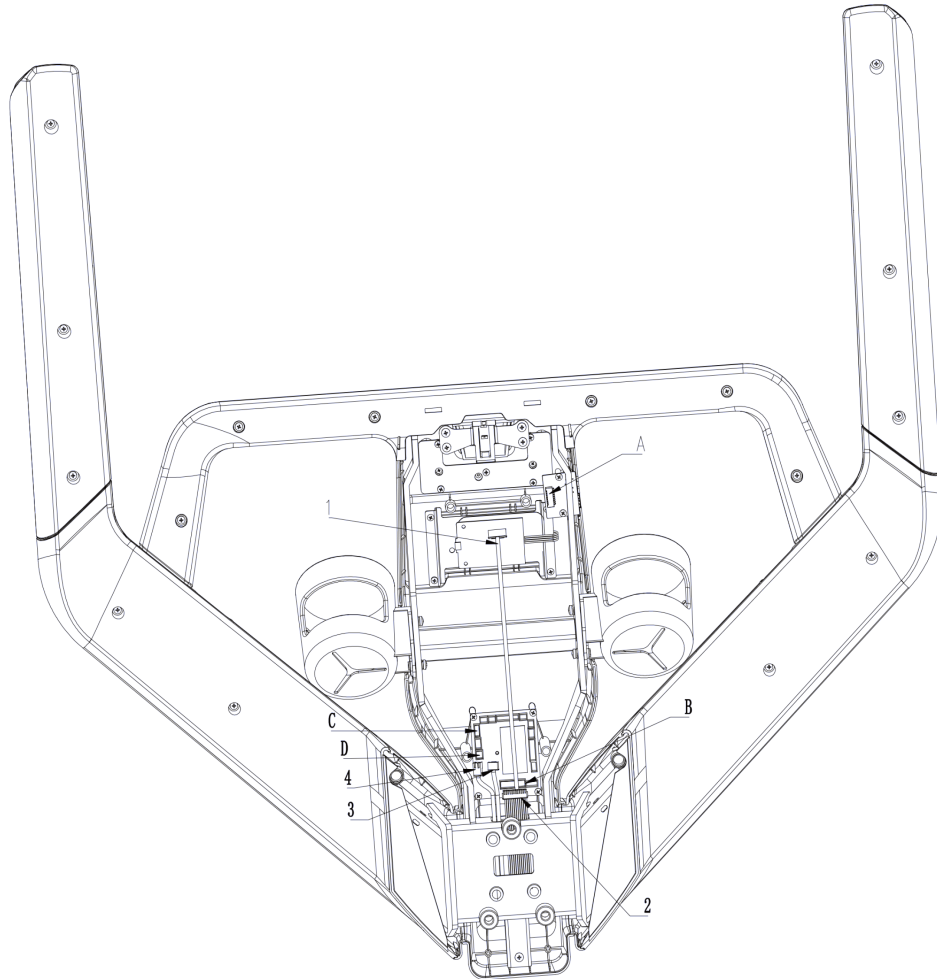
**Correct Disposal of this product**



This marking indicates that this product should not be disposed with other household wastes throughout the EU. To prevent possible harm to the environment or human health from uncontrolled waste disposal, recycle it responsibly to promote the sustainable reuse of material resources. To return your used device, please use the return and collection systems or contact the retailer where the product was purchased. They can take this product for environmental safe recycling.

# CABLE WIRING SCHEME

- 1. USB connection cable — A. USB connection cable port
- 2. Mother board connection cable — B. Mother board connection cable port
- 3. Signal cable — C. signal cable port
- 4. Power cable — D. Power cable port



# TABLE OF CONTENTS

SAFETY INSTRUCTIONS .....	1
TECHNICAL PARAMETER .....	2
PACKING LIST .....	2
PARTS DIAGRAM .....	3
WIRELESS CHARGINGINSTRUCTIONS .....	3
ASSEMBLY .....	4
DAILY MAINTERANCE .....	8
APPENDIX .....	10
FUNCTION INTRODUCTION .....	11

# IMPORTANT SAFETY INFORMATION

**WARNING: To reduce the risk of burns, fire, electric shock or injury to persons, read the following important precautions and information before operating the treadmill.**

1. The treadmill has a user maximum capacity of 180 kg at a time.
2. For indoor use only.
3. Do not put any objects around the treadmill to avoid any possible of injuries.
4. Keep the treadmill in a stable and careful manner while changing position or moving.
5. Keep treadmill away from water, humidity, heat and fire.
6. Never insert any object or body parts into any opening for picking. Switch off first.
7. Do not use accessory attachments that are not recommended in order to avoid any injuries and damage to treadmill.
8. The treadmill should be properly grounded. Make sure that the outlet can supply enough electricity to the treadmill.
9. Wear training clothes and shoes which are suitable for running on the treadmill. Do not use the treadmill in bare feet.
10. To avoid injury, stand on siderails before starting the treadmill.
11. The display of the heart rate is for reference only; it is not a medical device and may be affected by many unknown factors.
12. The user who has problems with his heart should use the treadmill under doctor's directions
13. Please select the right running speed according to your own physical condition.
14. Never leave the treadmill unattended while it is running. Unplug the treadmill after switching off.
15. Keep children under the age of 12 and pets away from the treadmill at all time.
16. To avoid electric shock, do not use this unit during a lightning storm.
17. Do not keep the treadmill running overloaded for a long time; the overload may damage the motor and the controller, it can also reduce the service lifetime of bearings, belt and deck.
18. Do not touch any moving parts.
19. Stop using the treadmill in case of discomfort or when there is something wrong with the treadmill.
20. Long-haired users should pay attention to their hair while using the treadmill.
21. Do not operate the treadmill with a damaged or frayed power cord. If the supply cord is damaged, it must be replaced by the manufacturer or its service agent or a similarly qualified person in order to avoid a hazard.
22. This appliance is not intended for use by persons (including children) with reduced physical, sensory mental capabilities, or lack of experience and knowledge, unless they have been given supervision or instruction concerning the use of the appliance by a person responsible for their safely.
23. Children should be supervised to ensure that they do not play with the appliance.

**Correct Disposal of this product:**  
This product should not be disposed with other household wastes throughout the EU. To prevent possible harm to the environment or human health from uncontrolled waste disposal, recycle it responsibly to promote the sustainable reuse of material resources. To return your used device, please use the return and collection systems or contact the retailer where the product was purchased. They can take this product for environmentally safe recycling.

**CAUTION:** Before beginning this or any exercise program, consult your physician. This is especially important for persons over the age of 35 or persons with preexisting health problems. Read all instructions before usage.

# APPENDIX

Commercial Treadmill Maintenance Sheet

Inspection Items for Maintenance	Objective	Important	By owner appointed maintainer			By distributor or manufacturer		serviceable tools
			Every day	Every week	Every month	Every Quarter	Semi-Annual	
Equipment Appearance	Running belt cleaning	•	Clean					Flexible cloth, dust collector
	Running board cleaning	•	Clean					Flexible cloth, dust collector
	Side pedal		Clean					Flexible cloth, dust collector
	Console panel cleaning		Clean		Check			Flexible cloth, dust collector
	Handle cleaning		Clean					Flexible cloth
	Underneath Cleaning	•			Clean			Dust collector
	Mainframe set screw				Check			Tools
	If Plug is stick	•	Check					
Console	Emergency stop	•	Check					
	Heart rate test			Check				
Running belt	Breakage			Check				
	Tight/Loose	•	Check					T shape wrench
	Deviation	•	Check					T shape wrench
Running board	Lubricate with running belt	•		Check				
	If there is heave, groove or crack on the board				Check			
	Tighten the screw				Check			
Motor compartment	Cleaning	•			Clean, Dust absorpt			Shut off
	Silicone oil remain	•			Check, Replenish			Original lubricating oil
	Front roller belt race deposit				Check, Clean	Check		Dust collector/ Hairbrush
	Motor belt race deposit				Check, Clean	Check		Dust collector/ Hairbrush
	Belt deviation				Check	Check		
	Belt Breakage				Check	Check		
Roller	Abdominal noise				Check	Check		

**Notice:**

1. Please rotate the running belt manually while cleaning the running belt and running board.
2. Never clean the running belt with Disinfectant or any other acid/alkaline detergents.
3. Must use dry flexible cloth or dust collector to clean the running belt.
4. Never wipe any part of the machine with a dripping rag.
5. Most faults of the treadmill are caused by irrational maintenance. Please perform maintenance on your treadmill.

# DAILY MAINTENANCE

The running belt of the treadmill has been imported, made from special materials with lower coefficient of friction and higher tensile strength; the running board is with double shock-absorb system, which ensures smooth surface and durability.

## Lubricating

Prolong the life of treadmill by keeping it clean. It is necessary to clean the exposed running board and side foot-boards, to wipe running belt with soft cloths and water. Please pay attention to prevent the water from the underside of belt and over.

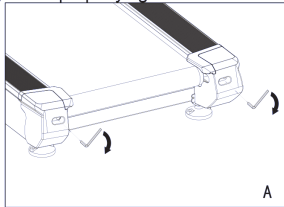
The treadmill uses the auto-lubricating system. When the console tests that the total distance has reached, the pre-setted distance in the system, the lubricating motor begins to work. During using, user should check the auto-lubricating system in a timely manner. Should you find the oil bottle is empty, fill it as soon as possible. If auto-lubricating system doesn't work well, please call the dealer.

## Adjusting bel that is too loose or too tight

The running belt was adjusted before it left the factory and after assembling, but after a period of usage, the belt will become loose. This circumstance is out of warantee. The user can adjust it himself. The loose belt will slip, but too tight belt harms the motor, roller and itself.

## Solution

Remove the key and **UNPLUG THE POWER CORD**. Using the allen wrench, turn both rear roller adjustment bolts counterclockwise, 1/4 of a turn. When the walking belt is properly tightened, you should be able to lift each side of the walking belt 5 to 6 cm off the walking platform. Be careful to keep the walking belt centred. Plug in the power cord, insert the key and run the treadmill for a few minutes. Repeat until the walking belt is properly tightened.



## The walking belt is off-centre

All the running belt were adjusted before the treadmill left the factory or after assembling, but after a period of usage, the belt will off-centre, this circumstance is from the following causes:

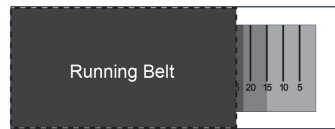
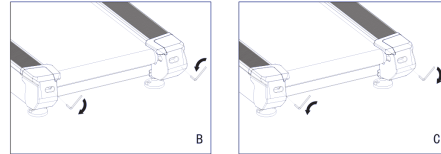
- (1) The treadmill is not horizontal.
- (2) The feet of user do not stand on the center of belt.
- (3) The two feet of user are with different strengths.

## Solution

Usually it can return after several minutes' moving, but if it can't, please adjust the bolt which is at the end of treadmill at unit of half-circle by a allen wrench. If the belt slant to left, please adjust the left bolt clockwise or adjust the right bolt counter clockwise (B). If the belt slant to right, it's adjusted oppositely (C). Repeat until the walking belt is centred (The side of running belt in the label's green colour) (D).

The excentric running belt is out of guarantee. The user adjust it by oneself.

More attention: The excentric belt will strictly harm itself, so the user must adjust it once find this circumstance.



## Technical Parameter

1	Input voltage: 220V±15% (50Hz或60Hz)
2	Motor power : 3.0 Hp (Max 7 Hp)
3	Surrounding temperature: 0-40 ° C
4	Speed scope: 1--20 (Km/h)
5	Incline scope: 0--15%
6	Time scope: 00:00:00-99:59:59+ (Min.: Sec.)
7	Distance scope: 0-999+ (Km)
8	Calorie: 0-999+ (Kilocalorie)

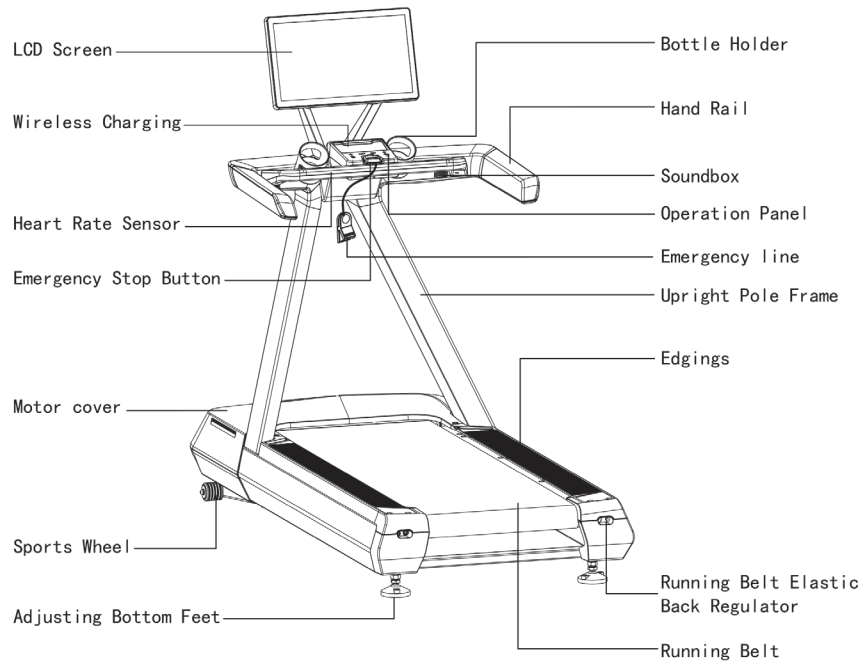
## Packing List

NO.	Description	Quantity
1	Mainframe	1 PC
2	Electronic watch	1 PC
3	Electronic watch holder	1 PC
4	Tray handle	1 PC
5	Frame of upright pole	2 PCS
6	Cylindrical head hexagon bolt M6*12	2 PCS
7	Cylindrical head hexagon bolt M6*16	4 PCS
8	Cylindrical head hexagon bolt M8*85	4 PCS
9	Cylindrical head hexagon bolt M10*30	11 PCS
10	Spring washer M6 (black)	4 PCS
11	Spring washer M6	4 PCS
12	Spring washer M8	4 PCS
13	Spring washer M10	11 PCS
14	Plate washer M6	4 PCS
15	Tool	1 SET
16	Oil pot	1 PC
17	Specification	1 PC

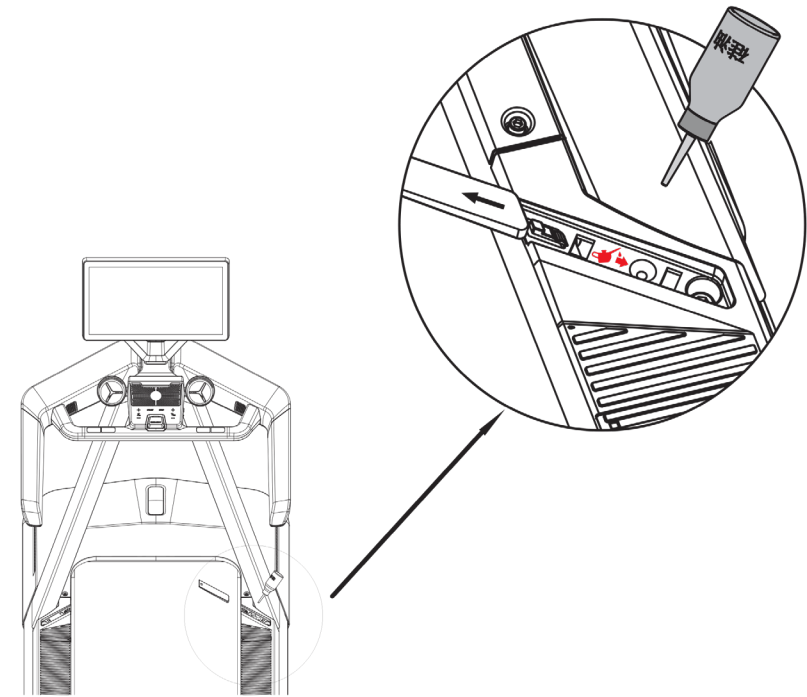
Attention: it's not too tight.

## DAILY MAINTENANCE

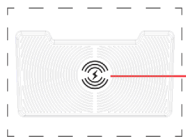
### Parts Diagram




This treadmill uses a manual refuel system. When the controller detects that the total mileage or the time from the last refueling has reached the preset value, the screen will pop up a dialog box, indicating that it is time for you to refuel the running belt. Please open the trim cover of upright pole under the right upright pole. Using the silicon oil bottle which is attached to the machine, at the time when machine running in lower speed, slowly drip the silicon oil into the hole, refuel 50ml each time.



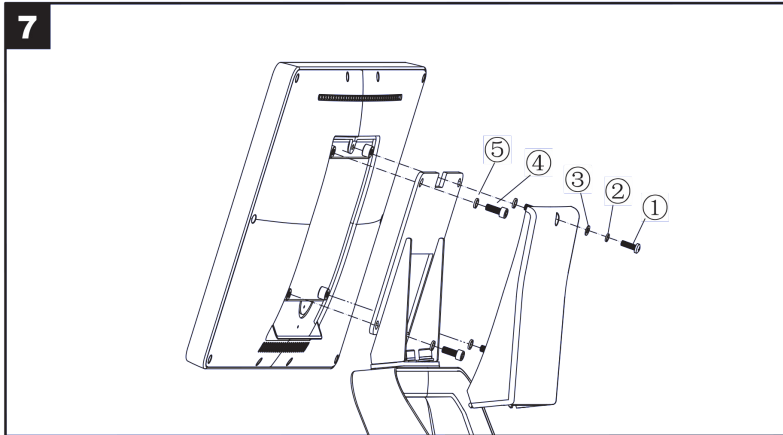
### Wireless charging instructions



1. “” Wireless charging only supports mobile phones that meet Qi standard;
2. Because of different brands of mobile phone wireless charging receiving position is different, can't satisfy all phones on the market, the general recommended phone placed in the right bottom corner of the charging area if unable to charge, please reverse phone 180 ° or on the lower left corner to try;
3. Metal items cannot be placed in the charging position, which will lead to wireless charging failure;
4. The protective cover of mobile phone will reduce the efficiency of wireless charging. If the protective cover is too thick or metal protective cover will lead to automatic protection of wireless charging, wireless charging cannot be realized.

Our company keeps the right of improving any parts and without advance notice.

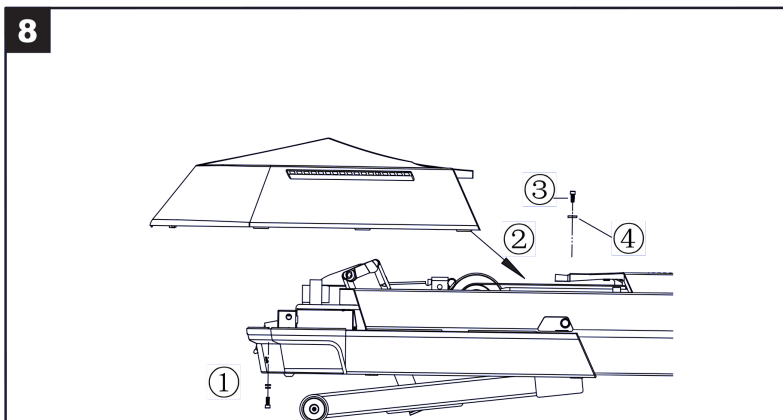
# ASSEMBLY



Loosen the cross screws ① at the back cover of electronic watch, fixed the LCD screen on the bracket with screws ④ .

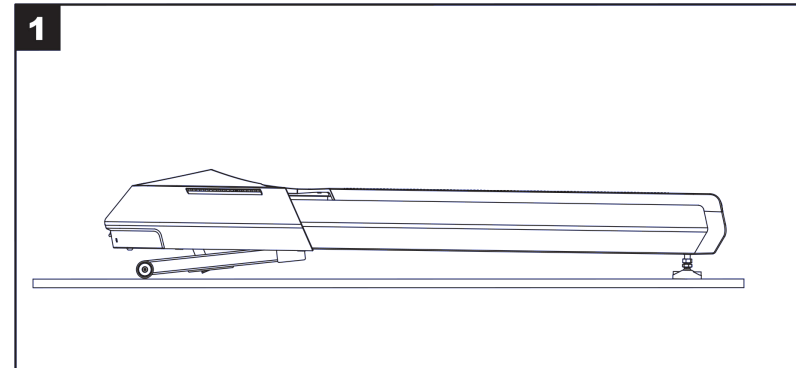
- ① Cross groove large flat head screw --- M5\*15 / 1Pc
- ② Sping washer ----- M5 / 1Pc
- ③ Flat washer -----  $\phi 10 \times \phi 5.3 \times 1$  / 1Pc
- ④ Socket cap screw ----- M6\*16 / 4Pcs
- ⑤ Sping washer ----- M6 / 4Pcs

**Remark :** when the electronic table is installed, please check whether the code number is consistent with the code number of the machine nameplate! ! !

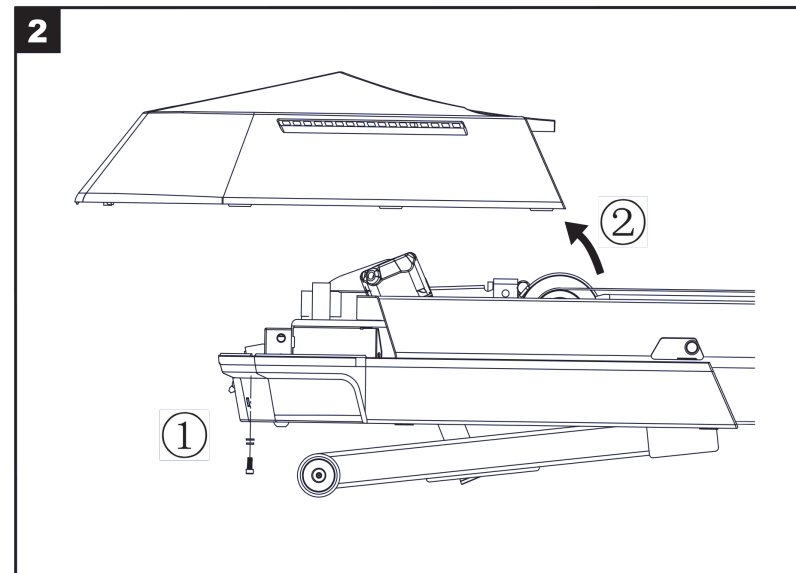


Once complete the circuit connection of whole machine, put back the electronic watch tray cover, LCD screen back cover and trim cover of the left and right upright pole, finally fixed upper cover of the motor with screw ① ③ , installation be finished.

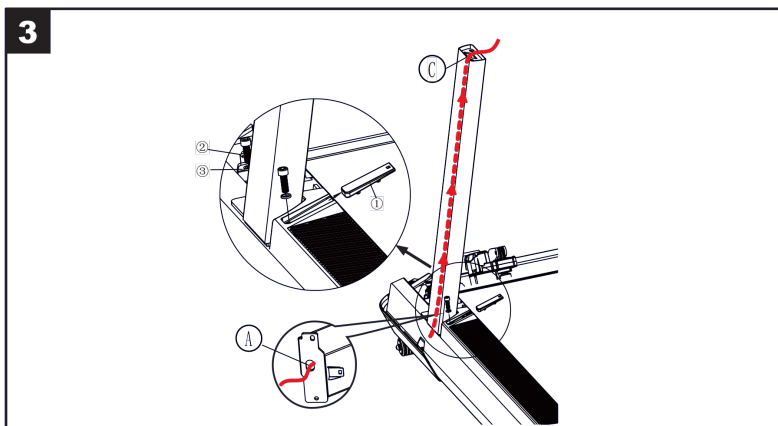
- ③ Socket cap screw ----- M6\*12 / 2Pcs
- ④ Flat washer ----- M6 / 2Pcs



Remove the treadmill from the packing carton and put flat on the ground.

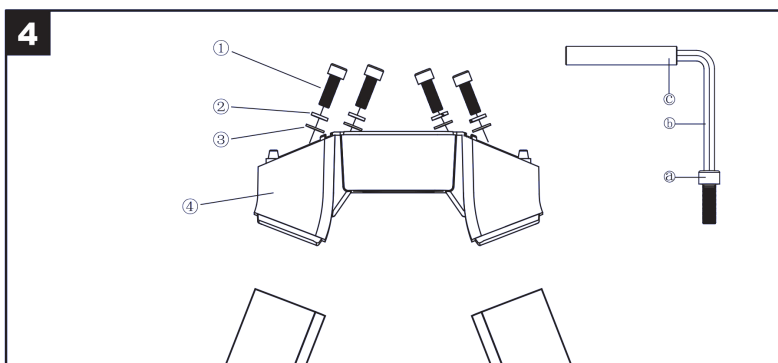


Remove the two M5 hexagon screws which fixing the upper cover of the motor and open the upper cover of the motor in diagonally direction.



1. Press one side of the upright pole trim cover, sliding out the trim cover ① along the arrow direction.
2. Connect the data cable at the bottom frame of the treadmill with the iron core bundle wire of the left upright pole, go through hole A and hole C at the bottom of the left pole.
3. Insert the upright pole, install the hexagon socket screw ②, do not lock.

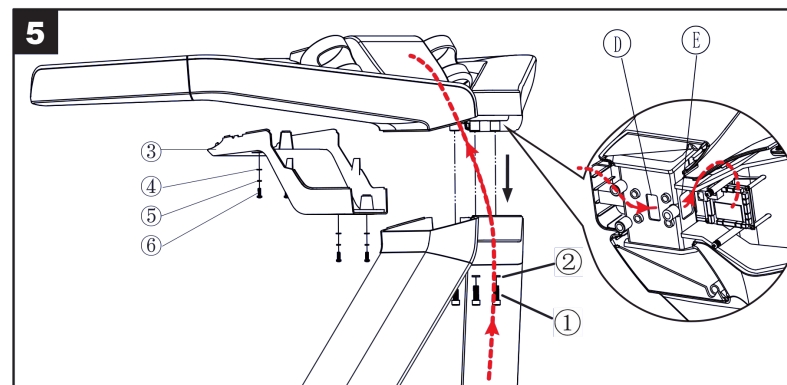
- ① Upright rod trim cover 4pieces - - - - - 1Pcs
- ② Socket cap screw - - - - - M10\*30 / 4Pcs
- ③ Springwasher - - - - - M10 / 4Pcs



Put the tray connection frame ④ into the left and right pole, and tighten with screw ①. Then tighten all the screws in the previous step.

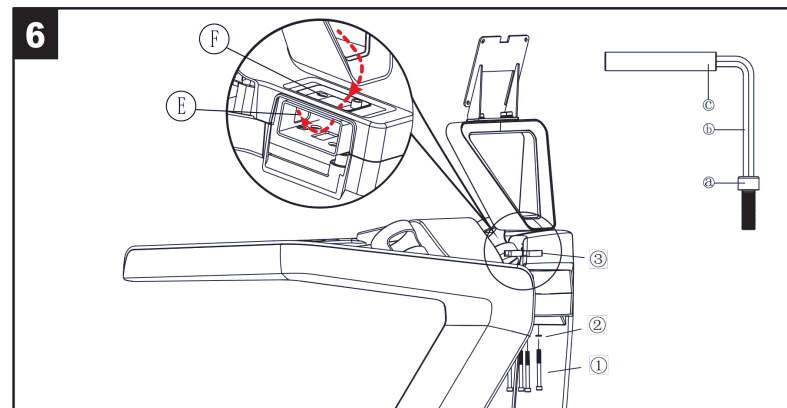
Note: when A screw is tightened, Use the C sleeve on the blister plate can be set on the back end of hexagon wrench B to increase torque

- ① Socket cap screw - - - - - M10\*30 / 4Pcs
- ② Spring washer - - - - - M10 / 4Pcs
- ③ Flat washer - - - - - M10 / 4Pcs
- ④ Pallet connector - - - - - 1Pc



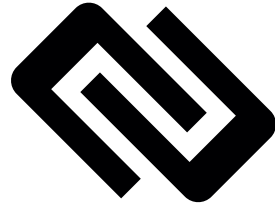
1. The data line end of the left pole needs to be inserted through the D hole, and through our form E hole and connected to the circuit board.
2. Put the electronic watch holder in the tray connector and lock it with the screw ①
3. Fix the electronic watch tray lower cover ③ on the electronic watch tray with screw ⑥ spring washer ⑤ and flat washers ④ Detailed cable connection diagram on page 11.

- ① Inner Hexagon Socket Head Bolt - - - - - M10\*30 / 3Pcs
- ② spring washers - - - - - M10 / 3Pcs
- ③ electronic watch tray lower cover - - - - - 1Pcs
- ④ flat washer - - - - - φ10\*φ5.3\*1 / 4Pcs
- ⑤ spring washer - - - - - M5 / 4Pcs
- ⑥ Cross Sunk Head Bolt - - - - - 4Pcs



1. The black and white data lines at the lower end of the electronic watch holder need to be come through from F hole, and come out from E hole, Fixed to the board.
2. Insert the rubber cushion ③ and lock the electronic watch holder with the screw ①. (Note: The side of the rubber cushion with the groove is placed face down) When locking the electronic watch holder with screws, pay attention to adjusting the bracket level.

- ① Socket cap screw - - - - - M8\*85 / 4Pcs
- ② Spring washer - - - - - M8 / 4Pcs
- ③ Rubber cushion - - - - - 2Pcs



# EVOLVE

**YOUR EVOLVED GEAR ARRIVED**



[www.evolve-fitness.eu](http://www.evolve-fitness.eu)



@EvolveFitnessEurope



@Evolve\_Fitness\_Europe